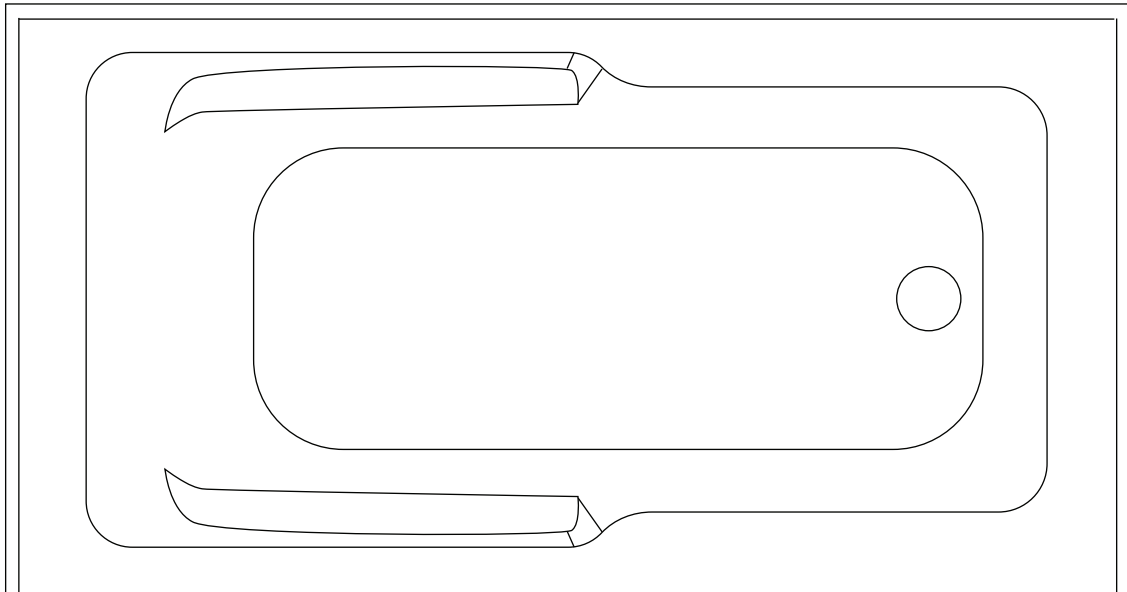


Alcove Bathtub with Apron INSTALLATION INSTRUCTIONS

Swiss Madison®
well made forever



@SwissMadison
#WellMadeForever





PRIOR TO INSTALLATION:

- Inspect bathtub to ensure no damages have occurred while in shipping.
- Observe all plumbing and building codes in accordance with your state and local requirements.
- All dimensions are nominal! Be sure to measure your bathtub prior to installation.
- The step-by-step guidelines in the installation instructions are a general reference. Should there be any discrepancies, Swiss Madison cannot be held liable. It is recommended to install all Swiss Madison products by hiring a licensed professional.
- Read installation and maintenance instructions thoroughly before installing. Be sure to use proper tools and always wear proper personal safety accessories for your protection.
- Two people are recommended to handle and install this product as it is fragile.
- Make sure all wood studs and supports are properly installed.
- Verify all the necessary plumbing is installed by a certified plumber.
- Floor drain and trap are not included.

If you have any questions or concerns please contact us:

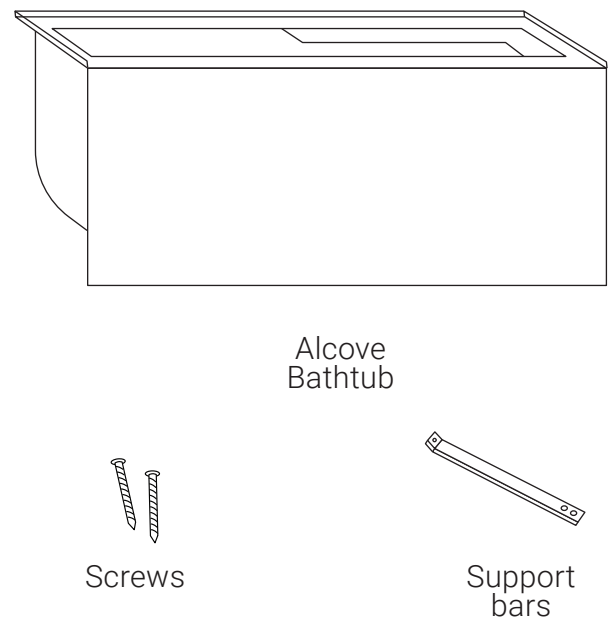
1-434-623-4766

info@swissmadison.com

SUGGESTED TOOLS & MATERIALS:

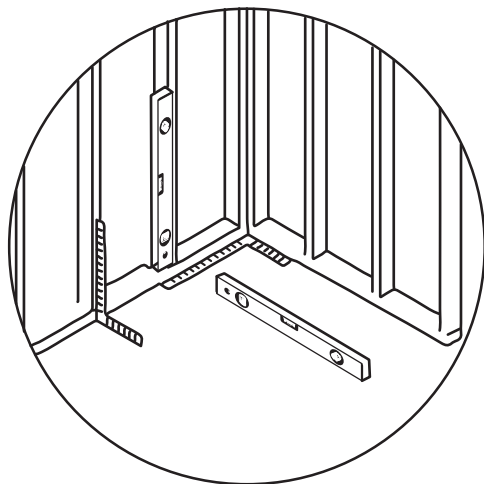
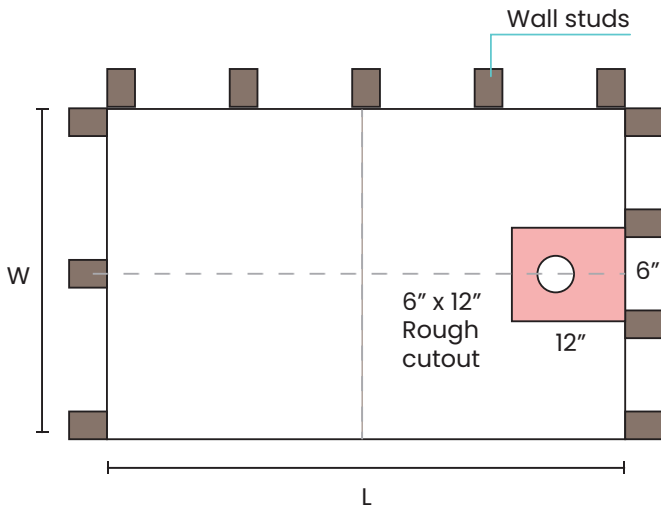


INCLUDED PARTS:



1. Rough-In

- Rough plumbing must be pre-installed by a certified plumber before installation.
- If floor drain-hole installation is needed, contact a certified plumber.
- Place tub at final desired location and verify floor drain and bathtub drain align.

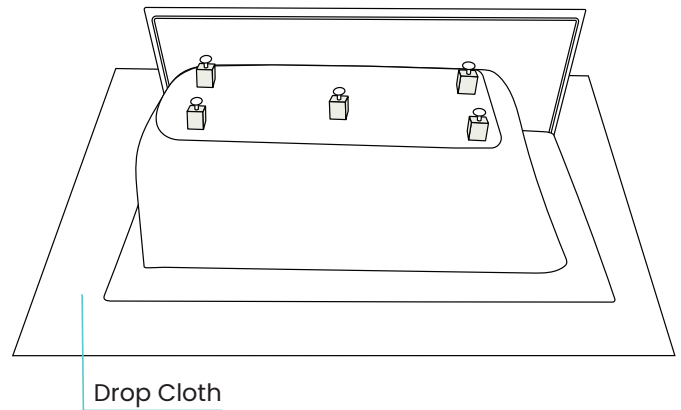


Studs must be flush and square

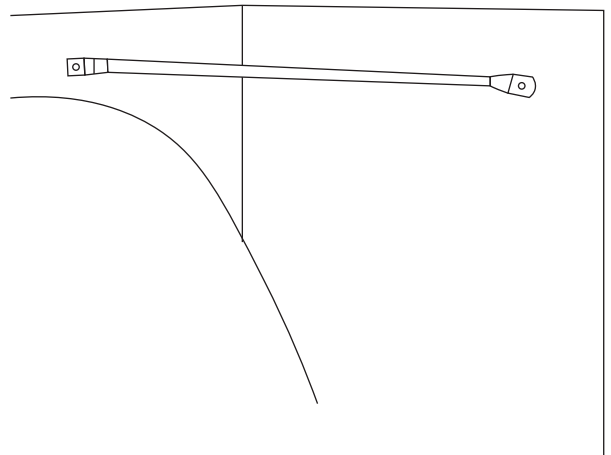
2. Attach Support Bars

- If your model does not come with bars pre attached, please attach them according to the included *Apron Support Installation Sheet* before continuing to Step 3.
- If the bars are pre attached, please continue to follow all the steps listed.

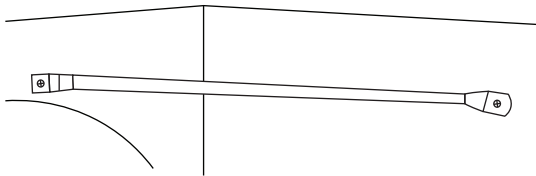
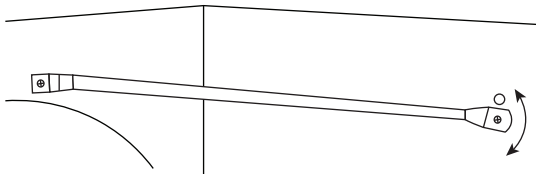
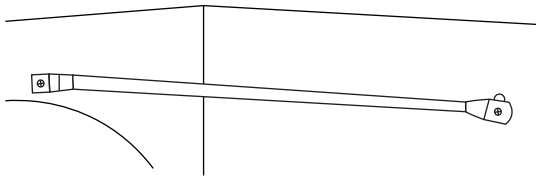
2a. Flip tub upside-down using a drop cloth to help prevent damages.



2b. Cut zip tie and line up the support bar with the pre-drilled hole in the apron. Then use the screws to securely attach the support bar to the apron. Repeat this for the rest of the support bars.

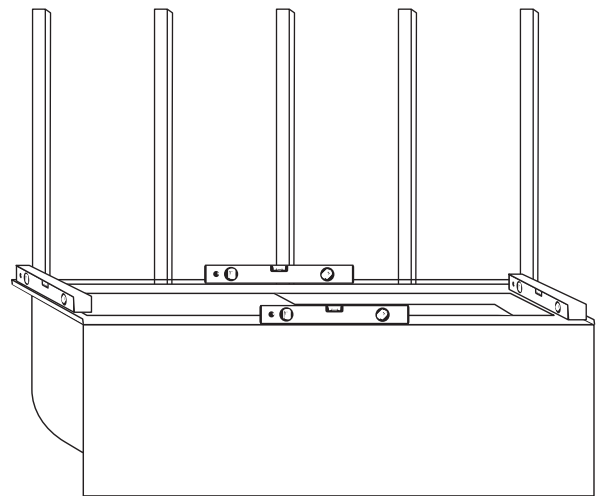
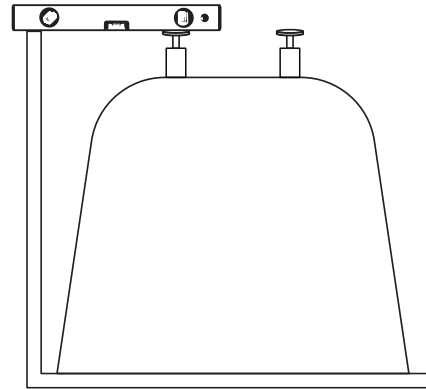


- 2c. If the hole on the support bar does not line up with the pre-drilled holes in the apron, please complete the following steps:
- Using a screwdriver, loosen the screws holding the hinge in place. Do not remove the screws completely.
 - Once the hinge can move, reposition the support bar so the holes are aligned.
 - Re-tighten the screws for the hinges to re-secure the support bar to the bathtub.
 - Use the screw to securely attach the support bar to the apron.



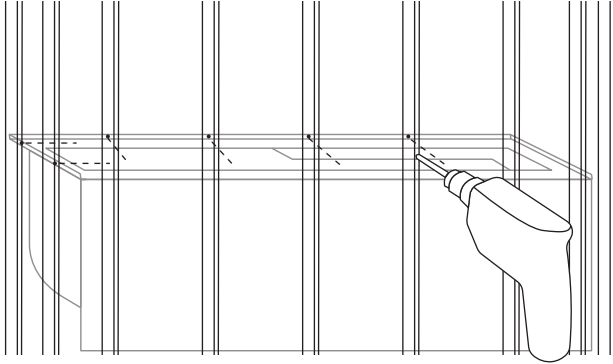
3. Ensure Tub is Level

- Place level across the bottom surface of the apron and the adjustable feet to verify the tub is level. If it is not, adjust the feet accordingly. Do this for all adjustable feet.
- Carefully flip tub over into the upright position. Reverify that the tub is level.



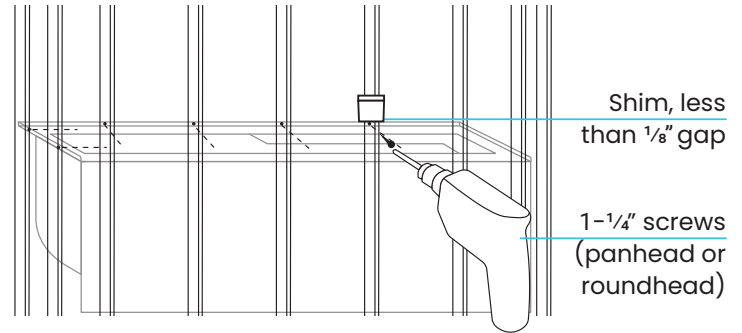
4. Mark & Pre-Drill Hole Locations

- Mark stud locations.
- Pre-drill $\varnothing 5$ mm holes on top flange.
- If stud is not flush to flange, a shim should be used. This will fix any gaps to prevent cracking the flange.



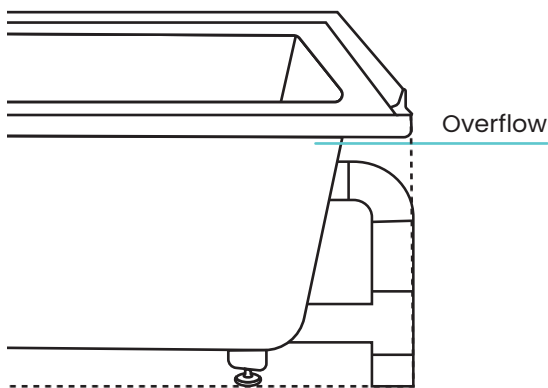
5. Screw Into Place

- Lay mortar bed and carefully lower bathtub into predetermined location.
- Secure tub by screwing flange into the pre-drilled holes from step 4.
- Place drop cloth in bathtub and stand inside bathtub to press it into floor when securing to wall studs.



6. Install Plumbing Fixtures

- Once your bathtub is in place, securely fasten and connect your waste and overflow then check for leaks. Standard 1 1/2" waste and overflow sold separately.
- Use latex/acrylic sealant, gasket or non-staining plumber's putty to seal between drain and bathtub.



ONE YEAR LIMITED WARRANTY

Swiss Madison® products are made with quality materials and excellent craftsmanship to provide our customers with beautiful, durable, long-lasting products. Should there be any defects in materials or craftsmanship under regular use that are discovered within the first year of installation, Swiss Madison® will provide replacement parts at no charge, or at its discretion, replace any product or part of the product that is deemed defective, under normal installation, use, service or maintenance. This warranty applies only to the original purchaser. Proof of purchase will be required in the instance of a claim.

Swiss Madison® recommends all installations of Swiss Madison® products to be conducted by a licensed, professional plumber or contractor. Swiss Madison® will not be held responsible for any damage or product failure due to improper installation, misuse, or failure to utilize a licensed professional for installation. Swiss Madison® is not responsible for any installation or removal costs.

This One Year Limited Warranty Will Be Voided If:


- The installation recommendations were not followed by the installer
- The product has been moved from its initial place of installation
- The product has in any way been modified from its packaged state
- The product has been subjected to improper maintenance, abuse, misuse, excessive use of chemicals, accidents, or other damages, etc.

Swiss Madison® makes no implication that its products comply with any local building or plumbing codes. It is the consumer's responsibility and obligation to determine local code compliance prior to and during installation. This warranty extends only to the original purchaser and first consumer.

Swiss Madison® is not responsible for any special, incidental or consequential damages associated with the installation, replacement, return or use of the original purchaser's product. This includes, but is not limited to: freight costs, labor, travel time, lost profit, home damages and other contingent liabilities and costs (including, without limitation, costs associated with 'professionals' or 'experts', investigations, audits, analyses, attorneys and any other professional/hired services).

The Swiss Madison® warranty is a comprehensive and explicit limit of liability. All items not disclosed within the warranty are not addressable within the responsibility of Swiss Madison®. Certain states have variances regarding implied warranties; in those situations, we remain fully compliant.

**If you have any questions or concerns, please contact us directly at
1-434-MADISON (623-4766)**

 **WARNING:** Contents of your order may contain sharp and possibly other harmful pieces and may cause hazard to children and adults. Swiss Madison® is not responsible in any way for personal damages.